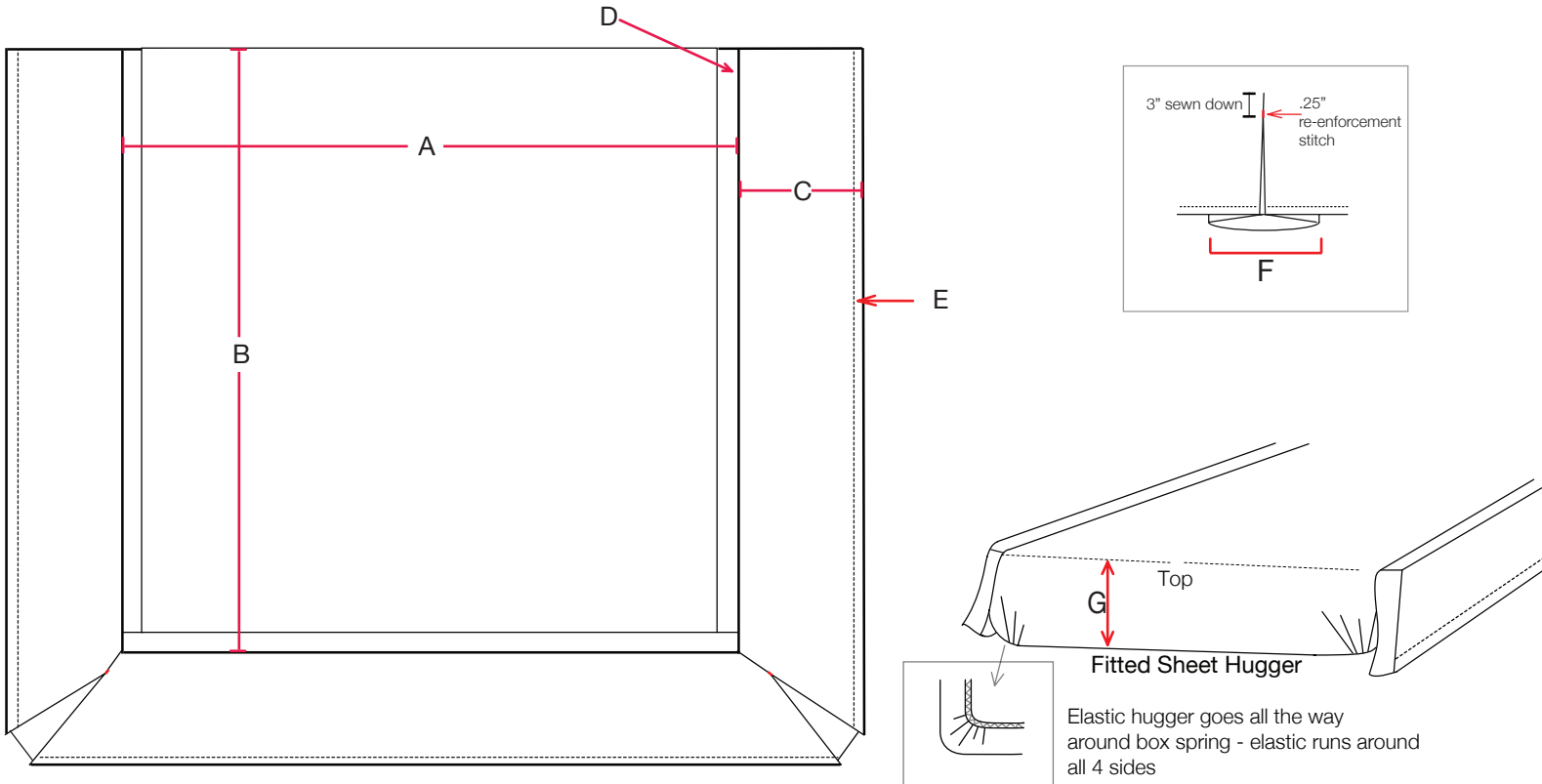


## 2 Pleat Bed Skirt / Fitted Sheet Hugger Specification Sheet

Project: \_\_\_\_\_  
Customer: \_\_\_\_\_  
PKC Sales Rep: \_\_\_\_\_



		DOUBLE	QUEEN	KING		
<b>A</b>	<b>Width (inches)</b>					
<b>B</b>	<b>Length (inches)</b>					
<b>C</b>	<b>Drop (inches)</b>					
<b>D</b>	<b>Deck Stripe (inches)</b>					
<b>E</b>	<b>Hem (inches)</b>					
<b>F</b>	<b>Pleat Size (inches)</b>					
<b>G</b>	<b>Hugger Length(inches)</b>					

Drop/Deck Stripe Fabric: \_\_\_\_\_ Content: \_\_\_\_\_  
 Direction of pattern on drop (if applicable): \_\_\_\_\_  
 FR Requirement for Drop Fabric: \_\_\_\_\_  
 Bed Skirt Lined or Unlined: \_\_\_\_\_  
 Decking/Lining fabric: \_\_\_\_\_  
 FR Requirement for Decking/Lining Fabric: \_\_\_\_\_  
 Hem Stitching: \_\_\_\_\_ (blindstitched, single needle stitched, etc)  
 PKC Standard Pleat is stitched down 3" from top with a .25" re-enforced stitch.  
 Pleat: PK Standard \_\_\_\_\_ Other \_\_\_\_\_  
 Special Instructions: \_\_\_\_\_